

TEAC[®]

Service Manual

CTM805SR

80cm (34") Colour Television

TEAC AUSTRALIA TECH MEMO – “TELEVISION”

Date: 29th-Jan-1999
File: CTM-805SR-5

CTM805SR

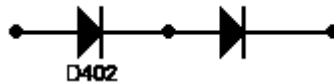
Symptom: FAILURE OF D402 - causing failures D403, R427 and Q402

Countermeasures:

Replace diode D402 with Philips type BY228.

Temporary Countermeasure:

Insert an additional diode in series (3TH41 Toshiba) in location D402 as per diagram below. (both diodes 3TH41 type)



Regards,

Fabian Lubanovic

<p style="text-align: center;">TEAC AUSTRALIA TECH MEMO – “TELEVISION”</p>
--

Date: 01-Jan-1999
File: CTM-805SR-4

MODEL: CTM805SR

Symptom: NO SOUND

Instructions:

Replace diode D301 (it may measure ok).
*common signal diode.

Regards,

Fabian Lubanovic
Technical Manager

TEAC AUSTRALIA

TECH MEMO – “TELEVISION”

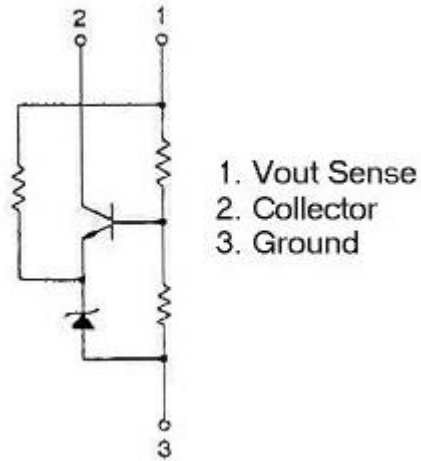
Date: 29-Sep-1998
File: CTM-805SR-3

MODEL: CTM805SR

Symptom: Component SE140N (Q905) is being replaced by standard NPN transistor.

This component is NOT a NPN transistor as shown in the CT-M805SR circuit diagram. This device is acting as a voltage sensing device (ie. For B+ voltage) which via the opto-coupler changes the pulse width on the primary side of the switch-mode supply.

Equivalent Circuit:



Instructions:

Use only the specified component. Use P/N 1300SE140N when ordering.

Regards,

Fabian Lubanovic
Technical Manager

MODEL: CT-M805SR PROBLEM: Television will go standby intermittently.

Instructions:

Move diode D904 to location D904A.

Regards,

Fabian Lubanovic
TEAC Australia Pty Ltd.

MODEL: CT-M805SR

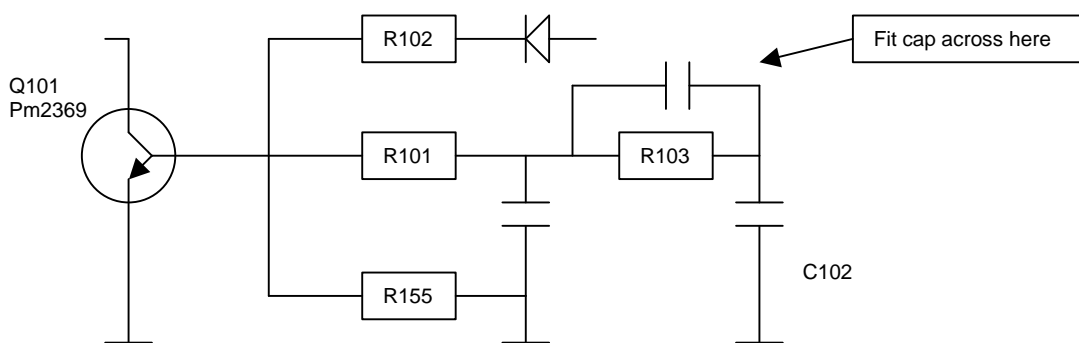
PROBLEM: UHF tuner drifting – channel loss.

REVISION 2

Instructions:

Fit a 0.1uF ceramic capacitor across R103 10k resistor (in parallel).

Refer diagram below.



If the above modification fails to operate, the next step is to replace the tuner.

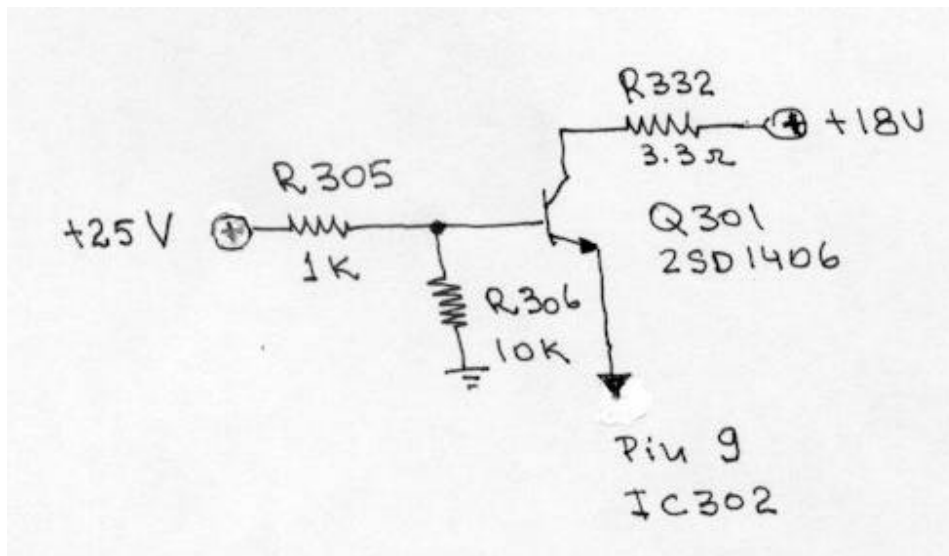
Regards,

Fabian Lubanovic
TEAC Australia Pty Ltd.

MODEL: CT-M805S/SV
PROBLEM: Buzzing noise in standby

File: CTm805-noise.DOC

Immediately after switching to standby a buzzing noise may be heard for some time. Using the following circuit can eliminate problem.



Instructions:

- 1- Remove the link between collector and emitter of Q301
- 2- Insert the following components in the indicated locations of the main PCB.

R305	1K
R306	10K
Q301	2SD1406

Regards,

Alcides Berta
TEAC Australia Pty Ltd.

MODEL: CT-M805SR

PROBLEM: No colour when trying to play video tapes.

This problem occurs when playing video cassette movies and is particularly noticeable when using the MV6080G VCR.

Instructions:

Locate C249A which is close to XTAL X201 (4.43Mhz colour burst)
Replace C249A with a 15pF ceramic capacitor.

Fabian Lubanovic
TEAC Australia Pty Ltd.

SPECIFICATION

SUPPLY VOLTAGE : AC220V 50Hz $\geq + 10\%$ / -20%

SYSTEM :	PAL - I / I	PAL - BG	PAL - I (UK)	PAL - SECAM - BG / DK	PAL - SECAM - BG / DK (HYPER)	PAL - BG (HYPER)	PAL - BG (CATV)	SECAM - L	L'	
CHANNEL L - VHF : H - VHF : UHF :	4 - 13 21 - 69	2 - 4 5 - 12 21 - 69	21 - 69	1 - 5 6 - 12 21 - 69	1 - 5 6 - 12 21 - 69	E2 - S10 E5 - S41 E21 - E69	E2 - S2 E5 - S20 E21 - E69	1 - Q 21 - 69	FB - FC	CH CH CH
VIF FREQUENCY :	38.9	38.9	39.5	38.0	38.9	38.9	38.9	38.9	32.7	MHz
SIF FREQUENCY :	32.9	33.4	33.5	31.5 32.5	32.4 33.4	33.4	33.4	32.4	39.2	MHz
CHROMA IF FREQUENCY :	34.47	34.47	35.07	33.57 33.57	34.47 34.47	34.47	34.47	34.47		MHz
INTER-CARRIER FREQUENCY :	6.0	5.5	6	6.5 5.5	5.5 6.5	5.5	5.5	6.5	6.5	MHz
SCANNING HORIZONTAL : VERTICAL :	15625 LINE 50 Hz									
ANTENNA INPUT IMPEDANCE :	75 OHM									
CRT :	25" 28" 29" 34"									

<u>ITEMS OF MEASUREMENT</u>	<u>STANDARD</u>	<u>UNIT</u>
VIDEO SENS. AT S/N 30db L - VHF	≤ 57	dbuv
H - VHF	≤ 57	dbuv
UHF	≤ 60	dbuv
SOUND SENS. AT S/N 30db L - VHF	≤ 42	dbuv
H - VHF	≤ 42	dbuv
UHF	≤ 48	dbuv
AGC CHARACTER	≥ 60	db
SELECTIVITY -1.5 MHz	≥ 35	db
+ 8 MHz	≥ 40	db
COLOR SENS.	≤ 45	dbuv
COLOR LOCK - IN RANGE	$\geq \pm 300$	Hz
VERTICAL LOCK - IN RANGE	≥ 6	Hz
HORIZONTAL LOCK - IN RANGE	≥ 400	Hz
MAX BRIGHTNESS	≥ 100	cd/m ²
MAX OUTPUT POWER	≥ 4.5	W
OUTPUT POWER AT 10% THD	≥ 3.5	W
BUZZ	≤ -40	db
AFC RANGE	$\geq +1$	MHz
	≥ -0.5	MHz
MIN. VOL HUM	≤ 20	mV
RESOLUTION HORIZONTAL	≥ 300	LINES
VERTICAL	≥ 400	LINES
LINEARITY DISTORTION VERTICAL	≤ 10	%
HORIZONTAL	≤ 10	%
RASTER DISTORTION	≤ 5	%
REMOTE CONTROL DISTANCE	≥ 5	METER
ANGLE	$\geq \pm 15$	DEGREE
POWER CONSUMPTION (AT NORMAL CONDITION)	≤ 120	WATTS
POWER CONSUMPTION (AT MAX. CONDITION)	≤ 150	WATTS
CONVERGENCE DISLOCATION AT AREA "A"	≤ 0.4	%
AREA "B"	≤ 0.8	%
(see fig.1)		

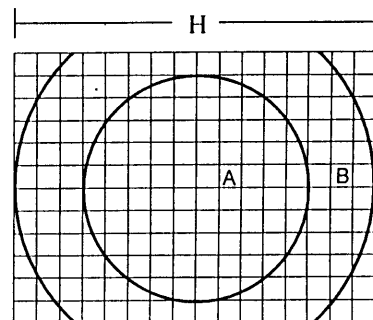


Fig.1

VIDEO INPUT LEVEL : 1.0V P-P \pm 3dB
 AUDIO INPUT LEVEL : 0.5V RMS \pm 3dB

ALIGNMENT INSTRUCTION

I. PLEASE READ BEFORE ATTEMPTING SERVICE

1. Never disconnect any leads while receiver is in operation.
2. Disconnect all power before attempting any repairs.
3. Do not short any portion of the circuit while power is on.
4. For safety reasons, all parts replaced should be identical, (for parts and part numbers see parts list).
5. Before alignment the set must be pre-heated for 30 minutes or more and erase magnetism thoroughly from CRT front chassis frame by erase coil. (Except IF, SYNC, COLOR, SECAM, B+, SOUND)

II. TEST EQUIPMENT

- | | |
|---|---|
| 1. VIF Sweep Generator | 7. Volt Ohmmeter |
| 2. SIF Sweep Generator | 8. High Voltage Meter |
| 3. Colour Bar, Dot, Cross Hatch Generator | 9. Ampere Meter (0.5 Class, DC 3mA Max) |
| 4. DC Power Supply | 10. Demagnetizing Coil |
| 5. Oscilloscope | 11. Philips Pattern Generator |
| 6. Vacuum Tube Voltmeter | 12. High Pot Tester |

III. VIF ALIGNMENT

- A. Preparation step. (see fig.2a)
1. Connect Sweep Generator to tuner test point and Ground.
 2. Connect 16V \pm 1V Bias Voltage to C429 (+) and Ground, CN904 PIN3 (PIN4 or CN905) and Ground.
 3. Connect A.G.C. Bias Voltage to IC201 PIN48 and Ground.
*A.G.C. Bias Voltage can't over 5V. (see fig.2b)
 4. Disconnect the soldering pads 'H'.

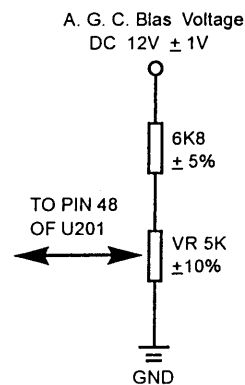
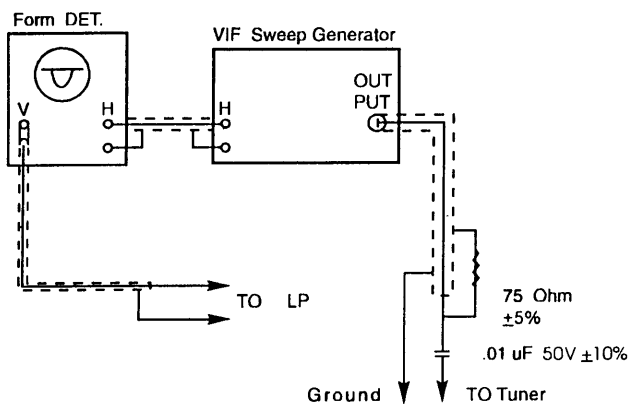


Fig. 2b

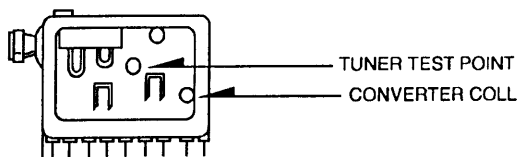


Fig. 2a

B. Alignment Step

1. Calibrate the division of Sweep Generator equal to 100mV per div.
2. The output of Sweep Generator should be $-50\text{dB} \pm 10\text{dB}$.
3. Connect the Waveform Detector to Pin7 of IC201 and Ground.
4. Connect 100ohm ($\pm 5\%$) resistor between Q206 PINB and IC201 PIN10 (only for secam L / L' version).
5. Adjust A.G.C. Bias to maintain the waveform achieve 1V p-p $\pm 10\%$.
6. Adjust T204 to obtain maximum amplitude of response cause at PC (BG = 38.9MHz, I = 39.5MHz, BG / DK = 38.0MHz).
7. Connect 100ohm ($\pm 5\%$) resistor between TP201 and TP202.
8. Adjust tuner converter coil to obtain waveform as Fig.3.
9. Soldering the pads 'H' and disconnect the 100ohm resistors.

REMARK: No need to proceed step 7 and 8, when using Samsung or Telefunken Tuner.
Point (C.C) and point (P.C) have $\pm 0.5\text{div}$ tolerance.

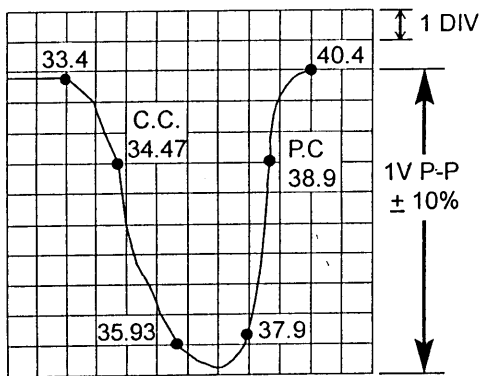


Fig.3

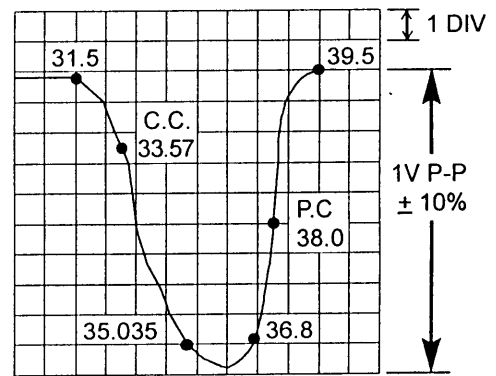


Fig.3

SYSTEM: PAL - BG
PAL - BG / DK
(W/HYPER BAND)

SYSTEM: PAL - BG / DK
(W/O HYPER BAND)

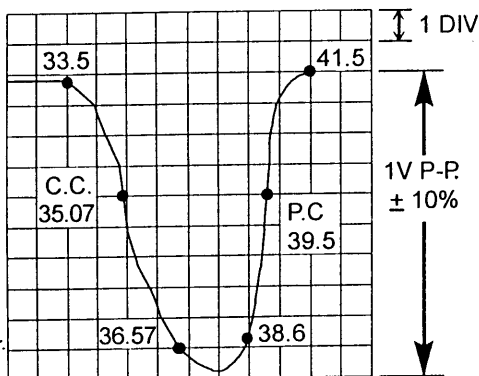


Fig.3

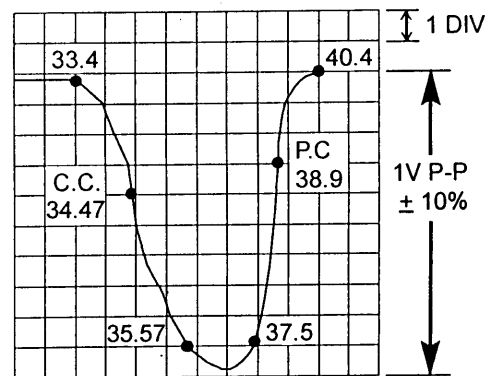


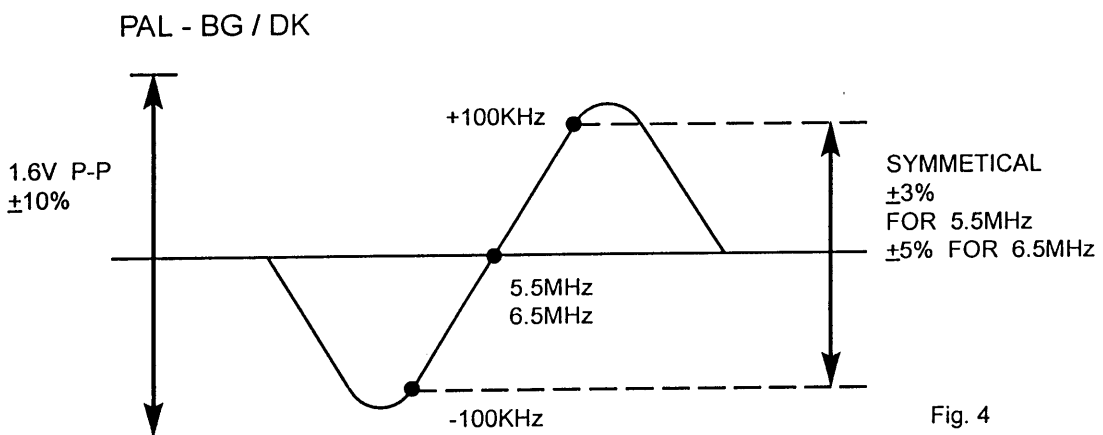
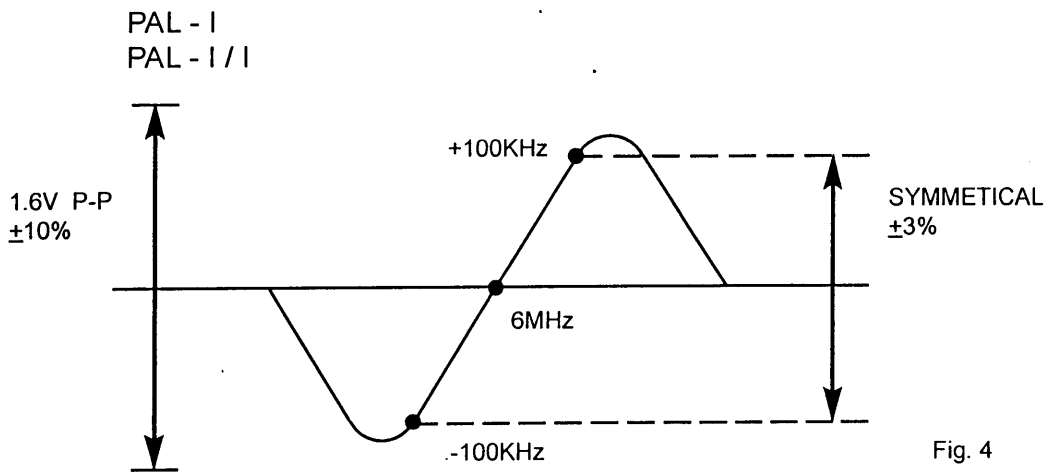
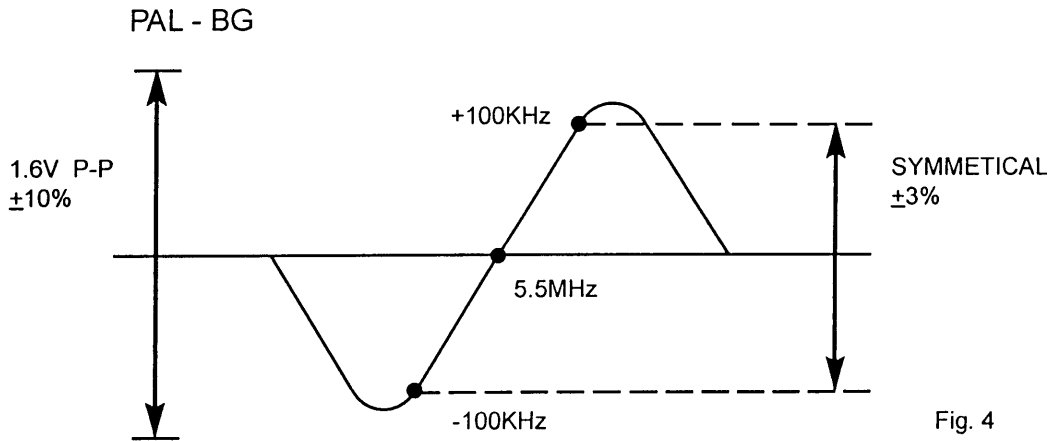
Fig.3

SYSTEM: PAL - I

SYSTEM: PAL - I / I

IV. SIF ALIGNMENT

1. Connect the Sweep Generator to IC208 Pin17 and Ground.
2. Connect Waveform Detector to Pin9 of IC208 and Ground.
3. The output of Sweep Generator should be $-10\text{dB} \pm 5\text{dB}$.
4. Adjust T202 to obtain the waveform as Fig.4.



V. SIF ALIGNMENT (FOR G.STEREO)

1. Connect the Sweep Generator to IC208 Pin17 and Ground.
2. Connect Waveform Detector to Pin8 of IC208 and Ground.
3. The output of Sweep Generator should be $-10\text{dB} \pm 5\text{dB}$.
4. Adjust T203 to obtain the waveform as Fig.5.
(If haven't Waveform. Set the TACT - SWITCH S609 to SYS - 1 position)

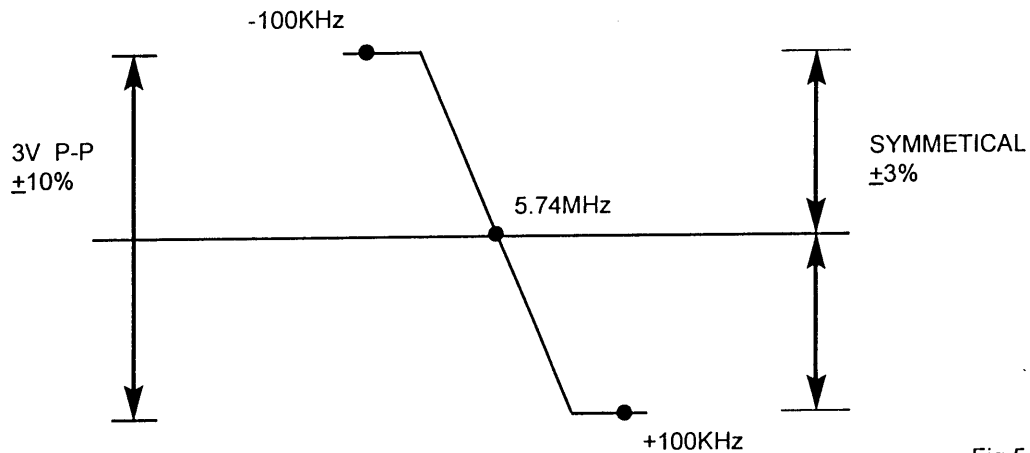


Fig.5

VI. AFC ALIGNMENT

1. Apply Pal IF signal modulated with a colour bar pattern to Tuner IF out and Ground.
(Field strength = $80 \pm 3\text{dB}$)
2. Connect digital voltmeter to Pin44 of IC201 and Ground.
3. Adjust T204 to obtain a reading of $3.75\text{V} \pm 0.25\text{V}$.

VII. SOUND TRACKING ALIGNMENT

1. Receive a gray scale pattern.
2. Connect a oscilloscope and monitor IC208 Pin17 and Ground.
3. Adjust T201 to obtain the waveform Fig.6.

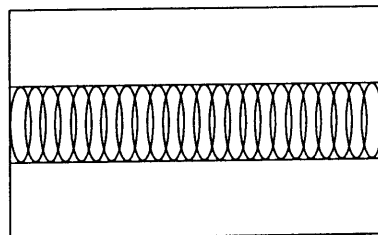


Fig.6

Remark: All frequency of Marker points are $\pm 0.2\%$ tolerance.

VIII. SEPARATION ALIGNMENT (FOR G.STEREO)

1. Receive color bar pattern (with stereo sound L 3KHz, R 1KHz)
2. Connect digital multimeter to PIN1 at CN302 and GND.
3. Adjust volume control to obtain a 0.89Vrms .
4. Switch off the left channel signal (3KHz) from the Signal Generator.
5. Adjust VR001 to make a minimum output level.

B+ ADJUSTMENT

1. Connect a digital voltmeter to B+ and Ground.
2. Set Brightness, Contrast and colour to minimum.
3. Adjust Screen Volume on FBT and VR101 until the picture can just be seen.
4. Adjust VR901 and obtain a reading of $140V \pm 1V$. ($143V$ For 28" THOMSON CRT)
($145V$ For 34" VIDEO COLOR CRT)

AGC ALIGNMENT

1. Receive CH69 (UHF) and input field strength. (see Fig.7)
2. Connect a digital voltmeter between the TUNER AGC TERMINAL and Ground.
3. Adjust the AGC variable resistor (VR201) to maximum position, and then adjust the VR until the AGC voltage drop down $0.4V$.
(1/ The drop down voltage should be more than and tends to $0.4V$)
(2/ No observable noise can be seen)

TUNER MODEL NO.	RF INPUT SIGNAL(dB)	TUNER MODEL NO.	RF INPUT SIGNAL(dB)
ENV598B7F2	62 ± 2 dB	OSCAR 2900KKC	60 ± 2 dB
UVC6201-RC	57 ± 2 dB	HBC3300KHC	60 ± 2 dB
UVC8303-RW	57 ± 2 dB	TBD1CAB14	60 ± 2 dB
UVL1812-AW	57 ± 2 dB	TECC1986VA0618	60 ± 2 dB
UVC1401-EW	57 ± 2 dB	TBD1-HYPV15A	60 ± 2 dB
TBQ-5-32	57 ± 3 dB	UVE33-W24/R16-8649	60 ± 2 dB
TBQ 8-12	57 ± 3 dB	UVE50-AW04D	60 ± 2 dB
VISHZUZ51	60 ± 2 dB		

Fig.7

HORIZONTAL CIRCUIT ADJUSTMENT

1. Receive Monoscope Pattern input signal $70dB \pm 10dB$.
2. Adjust VR202 to obtain the picture at center $\pm 2mm$.
(Specification show in Fig.8)

VERTICAL CIRCUIT ADJUSTMENT

1. Receive the Monoscope Pattern.
2. Adjust VR401 to obtain a normal picture.

WHITE BALANCE ALIGNMENT STEP

(Degauss the picture by degaussing coil if necessary)

1. Turn the Brightness, Contrast and Screen Volume to minimum value.
2. Turn VR603 to middle position. Turn VR601, 602, 604, and 605 to minimum position.
3. Receive a black and white pattern.
4. Connect a digital meter between Red Gun and Ground on the CRT Board.
5. Adjust VR101 to obtain a CRT cut off voltage. ($170V \pm 3V$) / ($180V$ For 34" $\pm 3V$)
6. Adjust Screen volume on FBT until the brightness bar can just be seen.
7. Adjust VR601, 602, 604 and 605 to obtain a uniform white picture ($9300^{\circ}K + 27M.P.C.D$) ($X = 0.281$, $Y = 0.311$).

SUB - BRIGHTNESS ALIGNMENT

1. Receive a colour bar pattern.
2. Turn the brightness, contrast and colour to minimum.
3. Adjust VR101 until the brightness bar can just be seen.

FOCUS ALIGNMENT

- 1) Set the Brightness and Contrast to middle position.
- 2) Receive a monoscope pattern.
- 3) Adjust focus control to obtain sharpest picture.

EAST - WEST CORRECTION ADJUSTMENT

- 1) Receive a crosshatch and centre cross pattern.
- 2) Turn the Brightness, Contrast to middle position.
- 3) Adjust VR402 to get normal regular picture.
- 4) Adjust VR403 to get a proper horizontal width. (90% +2%)

NTSC EAST WEST CORRECT ADJUSTMENT

- 1) Receive crosshatch pattern and center cross pattern, input signal.
- 2) Turn the brightness, contrast to middle position.
- 3) Adjust VR404 to get a normal regular picture.

HIGH POT TESTING

- 1) Short the L - pole and N - pole of AC line cord.
- 2) Switch on the power switch of the TV Set.
- 3) Connect The High Pot Tester (-) to L and N pole, (+) to the METAL PART of CABINET.

SAFETY STD. / CONDITION	TEST SYANDARD	TEST STANDARN FOR PRODUCTION
VDE, SAA	3.0KV 10mA / 1MIN	≥ 3.5 KV ≤ 10 mA / ≥ 10 SEC.
BS	4.0KV 10mA / 1MIN	≥ 4.0 KV ≤ 10 mA / ≥ 10 SEC.
CHINA STANDARD	3.0KV 10mA / 1MIN	≥ 3.3 KV ≤ 5 mA / ≥ 6 SEC.
UL	1.0KV 5mA / 1MIN	≥ 1.25 KV ≤ 5 mA / ≥ 1 SEC.

Remark:

- 1) If no other specify, the strength of input signal should be 70dB ± 10 dB.
- 2) The High Pot Tester can have $\leq \pm 5\%$ tolerance.

DISTRICT	CENTRE (mm) POSITION	LIMIT (mm)	SCANNING SIZE (%)	SCANNING SIZE LIMIT (%)
THAILAND	-1	0 ~ -2	90	88 ~ 92
FRANCE	+3	0 ~ +5	90	88 ~ 94
GERMANY	+3	0 ~ +5	90	90 ~ 95
*GROUP A	-2	-5 ~ -1	90	88 ~ 94
*GROUP B	0	-2 ~ +2	90	88 ~ 94
*GROUP C	+3	0 ~ +5	90	88 ~ 94

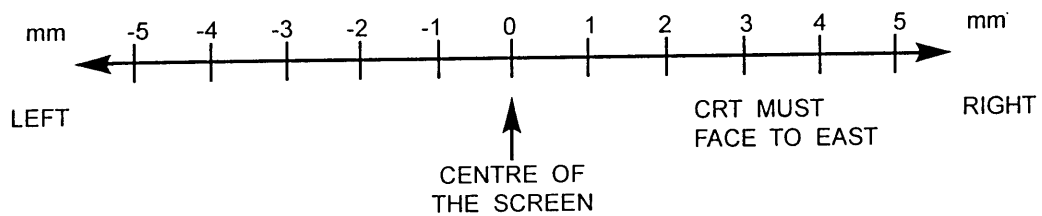


FIG. 8

- REMARK :
1. SUITABLE FOR 14" OR ABOVE TV.
 2. Adjust the centre position must take the upper side of monoscope pattern for standard.
 3. Group A : AUSTRALIA, NEW ZEALAND, TAHITI.
 4. Group B : HONG KONG, CHINA, AMERICA, CANADA, MALAYSIA, MEXICO.
 5. Group C : ENGLAND, ITALY, GERMANY, RUSSIA, SWITZERLAND, JUGOSLAVIA, SPANISH.
- If the above countries are not include, please consult to Engineering Dept.

VOLTAGE TABLE FOR IC (ONLY FOR REFERENCES)							
PIN NO.	SYMBOL	IC 201 TDA 8362	IC 101 CTV 350	IC001 SAA7282ZP	IC208 TDA3866	IC002 TDA8732	IC103 PC74HCT241P
1		3	4.3	2.5	0	0.3	0.085
2		5.8	0.1	5.1	0	GND	0.010
3		5.8	4.7	5	2.3	2.2	0.012
4		5.5	2.4	5	0.1	5.3	0.010
5		0	4.9	5	3	4	0.011
6		3.8	2.5	5.1	1.8	4.1	0.012
7		3	0	4.9	1.8	4.1	0.012
8		1.7	4.5	4.7	2.1	3.9	0.012
9		GND	1.6	GND	2.1	3	0.012
10		7.8	5	2.3	1.8	2.2	0.012
11		GND	0	2.3	1.8	4.4	0.085
12		3.1	5.6	2.3	5.7	5.3	0.012
13		4.3	5	2.3	5.7	4.5	0.012
14		3.3	5	2.3	1.9	GND	0.089
15		3.4	5	2.3	0	1.1	0.012
16		0	5	2.3	2.1	2.5	0.09
17		4.2	5	2.3	2.1	0.2	0.012
18		2.8	0.1	GND	1.8	4.6	0.095
19		2.8	5	2.3	0	GND	0.012
20		0	5	2.4	GND	3.3	0.085
21		0.3	0	2.3	6.7		
22		3.4	0	0.4	4.3		
23		3.4	0	2.3	1.7		
24		3.4	0	GND	1.7		
25		2.6	0	4.9			
26		1.7	0.3	4.9			
27		2.4	-0.3	5			
28		3.9	5	2.5			
29		3.8	5	GND			
30		1.4	0	2.1			
31		1.4	2.6	1.6			
32		1.6	2.1	1			
33		5.1	5				
34		1.3	5.4				
35		2	4.8				
36		7.7	0				
37		0.5	0				
38		0.6	0				
39		2.4	3				
40		3.7	2.7				
41		2.3	0				
42		2.8	5				
43		5					
44		3.9					
45		4					
46		4					
47		8.1					
48		4.5					
49		0.8					
50		3.3					
51		4.3					
52		6.5					

NOTE : VOLTAGE ARE TAKEN UNDER TUNED CONDITION WITH

CONTRAST : Maximum Position
 BRIGHNESS : Maximum Position
 COLOR : Maximum Position
 SIGNAL INPUT : 70dB \pm 10dB
 CHANNEL SETTING : The Last Channel of UHF High
 SIGNAL PATTERN : Colour Bar

VOLTAGE TABLE FOR TRANSISTOR (ONLY FOR REFERENCE)				VOLTAGE TABLE FOR IC				
SYMBOL	B (V)	C (V)	E (V)	SYMBOL PIN NO.	IC402 HEF4538BP	IC204 TDA8395	IC205 TDA4661	IC203 TDA8440
Q108	11.7	0	11.8	1	0	4.4	5.2	2.7
Q107	11	11.7	11.8	2	4.9	1.3	0	GND
Q111	9.9	11.8	10.6	3	11.9	7.9	0	2.8
Q112	2.7	11.1	10.6	4	1	0	0	GND
Q113	0.2	2.7	0	5	11.9	0	1.4	5.6
Q101	0.7	1.5	0	6	11.5	0	0	11.9
Q104	0	11.7	0	7	0.3	3.3	0	5.6
Q105	0.6	0	0	8	GND	4.2	0	5.6
Q103	0.02	4.6	0.02	9	0	3	5.2	5.6
Q208	3.3	8	2.7	10	11.9	3	0	5.6
Q201	2.3	11.6	1.7	11	11.9	0	2.9	11.9
Q206	8.5	3	8	12	0.3	0	2.9	5.7
Q205	2.1	7.8	1.5	13	11.9	0	0	11.9
Q204	3	7.4	2.3	14	3.4	0	1.3	5.7
Q117	5	0	0	15	0	1.2	0	11.9
Q116	0.6	0	0	16	11.9	0.6	1.3	2.5
Q002	2	3	1.3	17				0
Q001	2	5.3	2.6	18				0
Q003	0.3	11.8	0					
Q118	0.6	0	0					
Q331	2.3	5.3	1.7					
Q332	2.3	5.3	1.7					
Q401	0.4	38.2	0					
Q114	0.7	2.7	0					
Q404	11.2	0.5	11.7					
Q405	0.5	14.2	0					
Q410	2	10.1	1.4					
Q406	0	2	1.6					
Q402	0	113.6	0					
Q106	11.5	0.4	11.8					
Q151	0.02	10.6	0					
Q601	3.1	118.3	2.5					
Q602	3	119.7	2.5					
Q603	3.2	113	2.6					
Q604	3.7	0	4.1					
Q605	0	173.8	0.15					
Q606	0.1	11.2	0					

SYMBOL PIN NO.	IC401 TDA3654	IC202 TA7347P	IC104 24C01B2	IC901 ST6309
1	1.1	8.3	0	0.7
2	0	GND	5	0.2
3	1.2	8.3	0	0.1
4	0	GND	0	0.3
5	15.6	0	2.6	0.7
6	25.6	7.5	3	0.1
7	1.2	11.9	5	0.2
8	5.8		5	0.5
9	25.4			10

SYMBOL PIN NO.	IC102 L7805	IC403 L7812	IC404 L7808
1	10	14	12
2	GND	GND	GND
3	5	12	8

NOTE : VOLTAGE ARE TAKEN UNDER TUNED CONDITION WITH

CONTRAST : Maximum Position
 BRIGHNESS : Maximum Position
 COLOR : Maximum Position
 SIGNAL INPUT : 70dB \pm 10dB
 CHANNEL SETTING : The Last Channel of UHF High
 SIGNAL PATTERN : Colour Bar

VOLTAGE TABLE FOR TRANSISTOR (ONLY FOR REFERENCE)								
LOCATION \ TR	B (V)	C (V)	E (V)	LOCATION \ TR	B (V)	C (V)	E (V)	
Q108	11.7	0	11.8	Q332	2.3	5.3	1.7	
Q107	11	11.7	11.8	Q401	0.4	38.2	0	
Q111	9.9	11.8	10.6	Q114	0.7	2.7	0	
Q112	2.7	11.1	10.6	Q404	11.2	0.5	11.7	
Q113	0.2	2.7	0	Q405	0.5	14.2	0	
Q101	0.7	1.5	0	Q410	2	10.1	1.4	
Q104	0	11.7	0	Q406	0	2	1.6	
Q105	0.6	0	0	Q402	0	113.6	0	
Q103	0.02	4.6	0.02	Q106	11.5	0.4	11.8	
Q208	3.3	8	2.7	Q151	0.02	10.6	0	
Q201	2.3	11.6	1.7	Q601	3.1	118.3	2.5	
Q206	8.5	3	8	Q602	3	119.7	2.5	
Q205	2.1	7.8	1.5	Q603	3.2	113	2.6	
Q204	3	7.4	2.3	Q604	3.7	0	4.1	
Q117	5	0	0	Q605	0	173.8	0.15	
Q116	0.6	0	0	Q606	0.1	11.2	0	
Q002	2	3	1.3					
Q001	2	5.3	2.6					
Q003	0.3	11.8	0					
Q118	0.6	0	0					
Q331	2.3	5.3	1.7					

NOTE : VOLTAGE ARE TAKEN UNDER TUNED CONDITION WITH

CONTRAST : Maximum Position
 BRIGHTNESS : Maximum Position
 COLOR : Maximum Position
 SIGNAL INPUT : 70dB \pm 10dB
 CHANNEL SETTING : The Last Channel of UHF High
 SIGNAL PATTERN : Colour Bar

VOLTAGE TABLE FOR IC (ONLY FOR REFERENCES) (FOR TEXT. IC VOLTAGE)						
PIN NO.	SYMBOL	IC 801 SAA5246	IC 801 SAA5254PT	IC 802 GM76C88AL-15		
1		5.1	5.1	0		
2		2.17	2.2	4.38		
3		3.64	3.7	2.5		
4		0.04	0.044	2.2		
5		GND	GND	4.24		
6		5.09	5.1	1.4		
7		2.1	2.2	1.07		
8		2.09	2.4	3.65		
9		2.55	2.56	3.63		
10		5.1	5.1	3.74		
11		GND	GND	0.03		
12		2.18	2.4	0.82		
13		5.1	5.1	2.5		
14		GND	GND	GND		
15		0.28	0.12	1.2		
16		0.2	0.12	1.5		
17		0.28	0.11	1.6		
18		3.92	3.93	1.3		
19		4.85	0.11	1.08		
20		0.048	GND	GND		
21		2.56	0.08	4.32		
22		0.045	0.05	2.55		
23		2.87	0.05	0.85		
24		2.56	3.11	0.87		
25		GND	2.84	0.83		
26		1.2	5.09	5.1		
27		1.62	5.09	5.07		
28		1.7	5.09	5.1		
29		1.5	5.09			
30		1.1	5.09			
31		2.5	5.09			
32		0.8	0.058			
33		0.036	5.09			
34		3.74	5.09			
35		3.63	5.09			
36		3.65	0.057			
37		1.07	5.09			
38		1.4	5.09			
39		4.24	0.056			
40		2.1	0.06			
41		2.5				
42		4.38				
43		4.33				
44		0.8				
45		0.88				
46		0.83				
47		2.55				
48		5.07				
49						
50						

NOTE : VOLTAGE ARE TAKEN UNDER TUNED CONDITION WITH

CONTRAST : Maximum Position
 BRIGHNESS : Maximum Position
 COLOR : Maximum Position
 SIGNAL INPUT : 70dB \pm 10dB
 CHANNEL SETTING : The Last Channel of UHF High
 SIGNAL PATTERN : Colour Bar

MODEL NO.: CT-M805SR Chassis type GT-733A

SYSTEM: PAL BG NTSC PLAYBACK AV IN / OUT CABLE TUNER 50P

Part Number	Description		Unit	Qty
RC-C10	Remote Control Assy		PC	1
10780045546	455K HZ RESONATOR "KYOCERA"		PC	1
11310100517	CARBON FILM RESISTOR 100 OHM	1/16W +-5%	PC	2
11310200517	CARBON FILM RESISTOR 1K OHM	1/16W +-5%	PC	1
11310300517	CARBON FILM RESISTOR 10K OHM	1/16W +-5%	PC	1
11310900517	CARBON FILM RESISTOR 1 OHM	1/16W +-5%	PC	1
11347300517	CARBON FILM RESISTOR 47K OHM	1/16W +-5%	PC	1
11368200517	CARBON FILM RESISTOR 6.8K OHM	1/16W +-5%	PC	1
12747604203	ELECT. CAP. 47 MFD 16V +-20%		PC	1
13060010100	INFRARED EMITTER EL-1L1	KODENSHI	PC	1
13121071919	TRANSISTOR 2SA719S FO SHAN		PC	1
13123094500	TRANSISTOR 2SC945 NEC		PC	1
13380301033	I.C. SAA3010T PHILIPS		PC	1
17272600099	BARE WIRE 54MM		M	0.1
190R6330002	REMOTE P.C.B. (140896)		PC	1
51626040810	SELF-TAPPING SCREW 2.6 X 8 P/T	(HARDEN)	PC	2
774R6330100	BATTERY SPRING (+VE)		PC	1
774R6330200	BATTERY SPRING (-VE)		PC	1
774R6330300	BATTERY SPRING (+-VE)		PC	1
81004110413	POLYBAG 4" X 11" X 0.04MM	W/RE-CYCLING MARK	PC	1
849R6330100	KEY PAD {FULL 40 KEYS}		PC	1
892R6330106	DIAL KEY PLATE - PAL/BG W/CCD	/F.TXT	PC	1
900R6330203	HANDSET TOP CABINET -MATT BLK.	SPRAYED W/SILVER 8001C S.S.	PC	1
902R6330203	HANDSET BOTTOM CABINET - MATT	BLACK SPRAYED	PC	1
910R6330156	HANDSET BATTERY DOOR-TEAC DESI	GN {CT-M805SR}{M.BLK} {RC-684}	PC	1
973R6330100	VOLUME/CHANNEL KNOB - MOULDED	BLACK	PC	1
0021340984A	34" CRT #A80AEJ15X98 RCA	(WORLD-WIDE YAMMING)	PC	1
00313137207	TUNER OSCAR 2900KKC 3X1 772	"TELEFUNKEN" (HIGH JACK)	PC	1
00812233105	DEGAUSSING COIL 120T L=3750MM	(5 TAPE) DIA. 0.45MM ART-TECH	PC	1
10773150000	SAW FILTER TSB-5308U (SANYO)		PC	1
10773891510	SAW FILTER 38.9 MHZ TSF5315U	SANYO	PC	1
11310310167	METAL FILM RESISTOR 10K OHM	1/4W +-1%	PC	2
11315310517	CARBON FILM RESISTOR 15K OHM	1/4W +-5%	PC	2
13013414801	SILICON DIODE IN4148		PC	1
13051204400	LED 3MM RED 204HDC		PC	1
16618501240	TWEETOR SPEAKER 1-1/2"8 OHM 5W		PC	2
1662819364J	SPEAKER 3" X 6" 8 OHM 10W	#R816H68NK-1 "KAMIII"	PC	2
17155008400	7' AC LINE CORD W/7.5A PLUG	(DOUB.INSULATION)2 PIN SAA APP	PC	1
17262603640	UL1007 TOP COAT WIRE AWG26	360MM BLACK 10 X 10MM	PC	2
17262603640	UL1007 TOP COAT WIRE AWG26	360MM BLACK 10 X 10MM	PC	0
17262603643	UL 1007 TOP COAT WIRE AWG 26	360MM ORANGE 10 X 10MM	PC	2
17262603643	UL 1007 TOP COAT WIRE AWG 26	360MM ORANGE 10 X 10MM	PC	0
17910500000	UL PVC TUBE 5mm DIA		M	1.1
18622750314	BATTERY 3A		PC	2
19120100807	2 PIN SOCKET ASS'Y L=700MM		PC	1
19130101607	3 PIN SOCKET ASS'Y (2 WIRE)	L=700MM	PC	1
19140100507	4 PIN SOCKET ASS'Y L=450MM		PC	1
51530340810	SELF-TAPPING SCREW 3 X 8	W/B/T (HARDEN)	PC	4
610733A0203	GIFT BOX -TEAC DESIGN W/HANDLE	{K3A3A3K} {CT-M805SR}	PC	1
611733A0200	GIFT BOX-BOTTOM 951(W) X680(D)	X 309(H)MM W/HANDLE {K3A3A3K}	PC	1
618733A0100	PACKING PAD		PC	2
63023801000	FIBRE WASHER OD=23 , ID=8	T=1MM	PC	8
66323021198	SERIAL NO.LABEL - OC:GT-211/98		PC	2

MODEL NO.: CT-M805SR Chassis type GT-733A

SYSTEM: PAL BG NTSC PLAYBACK AV IN / OUT CABLE TUNER 50P

Part Number	Description		Unit	Qty
669733A0103	RATING LABEL - TEAC DESIGN	{CT-M805SR}	PC	1
670733B0013	INSTRUCTION MANUAL - TEAC (A)	DESIGN {CT-M805SR} {90P.}	PC	1
678628A0003	EASY TUNE CARD (A) - TEAC (B)	DESIGN	PC	1
678733B0102	CB NO.LABEL (I) - TEAC DESIGN	{CT-M805SR} {LARGE SIZE}	PC	2
678733B0103	CB NO.LABEL (II) - TEAC DESIGN	{CT-M805SR} {SMALL SIZE}	PC	1
678733B0105	TELETEXT COMPLEMENT - TEAC (A)	DESIGN {CT-M805SR}	PC	1
678733B0201	SCREEN STICKER - TEAC DESIGN	{CT-M805SR}	PC	1
67893131503	TOTAL CARE LABEL - TEAC (A)	DESIGN	PC	1
69094203902	WARRANTY CARD -TEAC (C) DESIGN		PC	1
693733B0102	EAN CODE LABEL - 9313060009052		PC	1
703733B0107	SPK.GRILLE-M.GREY{8403C}DOUBLE	SIDE SPY.0.5MM THK.1.0MM HOLE	PC	2
71093290101	NAME PLATE - TEAC (B) DESIGN	(BIG SIZE) (ELECTROFORMED)	PC	1
728733B0100	CRT MTG. BRACKET W/NUT		PC	4
800733A0100	POLYFOAM - TOP LEFT		PC	1
800733A0200	POLYFOAM - TOP RIGHT		PC	1
800733A0300	POLYFOAM - BOTTOM LEFT		PC	1
800733A0400	POLYFOAM - BOTTOM RIGHT		PC	1
81009150413	POLYBAG 9" X 15" X 0.04MM W/	RE-CYCLING P.E.MARK	PC	1
81055520464	POLYBAG 55" X 52" X 0.04MM	TEAC DESIGN {CT-M805SR}	PC	1
82650250500	FOAM SHEET 50" X 25" X 0.5MM	THK (APPROX)	PC	1
82650300500	FOAM SHEET 50" X 30" X 0.5MM	THK (APPROX)	PC	1
884733A3802	JACK COVER PLATE - TEAC DESIGN	{CT-M805SR}	PC	1
884733B1802	PRESET PLATE - TEAC DESIGN	{13 KEYS}	PC	1
900733B0112	FRONT CABINET - METALLIC GREY	{8403C}	PC	1
902733A12U3	BACK CABINET HI-PS UL 94V0 -	METALLIC GREY{8403C}W/O WOOFER	PC	1
919733B0120	P/DOOR-TEAC DESIGN {CT-M805SR}	W/CABLE READY WORDING	PC	1
980733A02U0	JACK PLATE HI-PS/BRASS INSERT	521-882001-00 2PCS/SET)UL 94V0	PC	1
991733A0101	POWER KNOB - METALLIC GREY	{8403C}	PC	1
00123415110	FLYBACK TRANSFORMER	JF0101-0151 SHEKOU JEWEL	PC	1
01210234006	SEMI-FIXED RESISTOR EVND8AA	03B13 1KB	PC	1
01210334006	SEMI-FIXED RESISTOR EVND8AA	03B14 10KB	PC	1
01220233006	SEMI-FIXED RESISTOR EVND2AA	03B23 2KB	PC	5
01220334006	SEMI-FIXED RESISTOR EVND8AA	03B24 20KB	PC	1
01250234006	SEMI-FIXED RESISTOR EVND8AA	03B53 5KB	PC	5
01250334006	SEMI-FIXED RESISTOR EVND8AA	03B54 50KB	PC	1
10119100996	HORIZONTAL DRIVE TRANSFORMER	(R1009)	PC	1
10128049395	LINE FILTER 20MH LB35T493A	"HIGHLIGHT" FOR 33"	PC	2
10149352094	SWITCHING POWER TRANSFORMER	#KB49C520C "HIGHLIGHT"	PC	1
10237060002	TANK COIL / AFC COIL COILS	707851	PC	2
10267130002	SOUND IF COIL. COILS 710256		PC	2
10510010302	FIXED INDUCTIVE COIL 10uH	+10% AXIAL TYPE	PC	1
10510910308	FIXED INDUCTIVE COIL 1.0UH	+10% (WITTIS)	PC	7
10515010102	FIXED INDUCTIVE COIL 15UH 10%		PC	1
10518010206	LINEARITY COIL 18UH FOR 33"	LX14I270B "HIGHLIGHT"	PC	1
10520110602	CHOKE COIL 200UH 10% CH9012-	201K (ELEC PRODUCT)	PC	1
10527010308	FIXED INDUCTIVE COIL 27UH		PC	1
10556010102	FIXED INDUCTOR COIL 56uH +-10%	CW-560K-455-705111	PC	3
10568910308	FIXED INDUCTOR COIL 6.8 UH	+10% AXIAL	PC	2
10582115606	CHOKE COIL 820UH 0.37 OHM	HIGHLIGHT	PC	1
10710550066	SOUND TRAP CERAMIC FILTER	5.5MHZ WEI HAW	PC	1
10730550016	SOUND BYPASS CERAMIC FILTER	5.5MHZ WEI HAW	PC	1
10730574016	SOUND BYPASS CERAMIC FILTER	5.74MHZ SFE-5.74MC MURATA	PC	1
11310010517	CARBON FILM RESISTOR 10 OHM	1/4W +-5%	PC	1
11310020512	CARBON FILM RESISTOR 10 OHM	1/2W +-5%	PC	1

MODEL NO.: CT-M805SR Chassis type GT-733A

SYSTEM: PAL BG NTSC PLAYBACK AV IN / OUT CABLE TUNER 50P

Part Number	Description		Unit	Qty
11310110517	CARBON FILM RESISTOR 100 OHM	1/4W +-5%	PC	12
11310110517	CARBON FILM RESISTOR 100 OHM	1/4W +-5%	PC	3
11310120512	CARBON FILM RESISTOR 100 OHM	1/2W +-5%	PC	1
11310210217	CARBON FILM RESISTOR 1K OHM	1/4W +-2%	PC	1
11310210517	CARBON FILM RESISTOR 1K OHM	1/4W +-5%	PC	8
11310210517	CARBON FILM RESISTOR 1K OHM	1/4W +-5%	PC	11
11310210517	CARBON FILM RESISTOR 1K OHM	1/4W +-5%	PC	3
11310220512	CARBON FILM RESISTOR 1K OHM	1/2W +-5%	PC	1
11310230575	METAL OXIDE FILM RESISTOR 1K	OHM 1W +-5%	PC	2
11310310517	CARBON FILM RESISTOR 10K OHM	1/4W +-5%	PC	12
11310310517	CARBON FILM RESISTOR 10K OHM	1/4W +-5%	PC	5
11310330575	METAL OXIDE FILM RESISTOR 10K	OHM 1W +-5%	PC	1
11310340575	METAL OXIDE FILM RESISTOR 10K	OHM 2W +-5%	PC	3
11310410517	CARBON FILM RESISTOR 100K OHM	1/4W +-5%	PC	8
11310420512	CARBON FILM RESISTOR 100K OHM	1/2W +-5%	PC	1
11310510517	CARBON FILM RESISTOR 1M OHM	1/4W +-5%	PC	1
11310910517	CARBON FILM RESISTOR 1 OHM	1/4W +-5%	PC	1
11312030575	METAL OXIDE FILM RESISTOR 12	OHM 1W +-5%	PC	1
11312110517	CARBON FILM RESISTOR 120 OHM	1/4W +-5%	PC	3
11312210517	CARBON FILM RESISTOR 1.2K OHM	1/4W +-5%	PC	6
11312310517	CARBON FILM RESISTOR 12K OHM	1/4W +-5%	PC	5
11312410517	CARBON FILM RESISTOR 120K OHM	1/4W +-5%	PC	1
11312420512	CARBON FILM RESISTOR 120K OHM	1/2W +-5%	PC	1
11315010517	CARBON FILM RESISTOR 15 OHM	1/4W +-5%	PC	3
11315110517	CARBON FILM RESISTOR 150 OHM	1/4W +-5%	PC	1
11315120512	CARBON FILM RESISTOR 150 OHM	1/2W +-5%	PC	1
11315210517	CARBON FILM RESISTOR 1.5K OHM	1/4W +-5%	PC	3
11315310517	CARBON FILM RESISTOR 15K OHM	1/4W +-5%	PC	3
11315340575	METAL OXIDE FILM RESISTOR 15K	OHM 2W +-5%	PC	1
11315410517	CARBON FILM RESISTOR 150K OHM	1/4W +-5%	PC	2
11315860575	METAL OXIDE FILM RESISTOR 0.15	OHM 5W +-5%	PC	1
11315940542	NON-FLAMMABLE FUSE RESISTOR	1.5 OHM 2W +-5%	PC	1
11315990551	WIRE WOUND CEMENT RESISTOR 1.5	OHM 10W +-5%	PC	1
11318110517	CARBON FILM RESISTOR 180 OHM	1/4W +-5%	PC	4
11318310517	CARBON FILM RESISTOR 18K OHM	1/4W +-5%	PC	1
11318410517	CARBON FILM RESISTOR 180K OHM	1/4W +-5%	PC	1
11322030575	METAL OXIDE FILM RESISTOR 22	OHM 1W +-5%	PC	1
11322110517	CARBON FILM RESISTOR 220 OHM	1/4W +-5%	PC	5
11322130575	METAL OXIDE FILM RESISTOR 220	OHM 1W +-5%	PC	1
11322210517	CARBON FILM RESISTOR 2.2K OHM	1/4W +-5%	PC	8
11322220512	CARBON FILM RESISTOR 2.2K OHM	1/2W +-5%	PC	1
11322310517	CARBON FILM RESISTOR 22K OHM	1/4W +-5%	PC	8
11322310517	CARBON FILM RESISTOR 22K OHM	1/4W +-5%	PC	8
11322410517	CARBON FILM RESISTOR 220K OHM	1/4W +-5%	PC	1
11322510517	CARBON FILM RESISTOR 2.2M OHM	1/4W +-5%	PC	1
11322910517	CARBON FILM RESISTOR 2.2 OHM	1/4W +-5%	PC	1
11322940542	FUSING RESISTOR 2.2 OHM 2W +-5	%	PC	1
11327110517	CARBON FILM RESISTOR 270 OHM	1/4W +-5%	PC	3
11327210517	CARBON FILM RESISTOR 2.7K OHM	1/4W +-5%	PC	2
11327220512	CARBON FILM RESISTOR 2.7K OHM	1/2W +-5%	PC	5
11327310517	CARBON FILM RESISTOR 27K OHM	1/4W +-5%	PC	5
11327410517	CARBON FILM RESISTOR 270K OHM	1/4W +-5%	PC	1
11327940542	FUSING RESISTOR 2.7 OHM 2W	+5%	PC	1
11333110517	CARBON FILM RESISTOR 330 OHM	1/4W +-5%	PC	1

MODEL NO.: CT-M805SR Chassis type GT-733A

SYSTEM: PAL BG NTSC PLAYBACK AV IN / OUT CABLE TUNER 50P

Part Number	Description		Unit	Qty
11333210167	METAL FILM RESISTOR 3.3K OHM	1/4W +-1%	PC	3
11333210517	CARBON FILM RESISTOR 3.3K OHM	1/4W +-5%	PC	8
11333260575	METAL OXIDE FILM RESISTOR 3K3	OHM 5W +-5%	PC	1
11333310517	CARBON FILM RESISTOR 33K OHM	1/4W +-5%	PC	5
11333950542	NON-FLAMMABLE FUSE RESISTOR	3.3 OHM 3W +-5%	PC	1
11339110517	CARBON FILM RESISTOR 390 OHM	1/4W +-5%	PC	3
11339210517	CARBON FILM RESISTOR 3.9K OHM	1/4W +-5%	PC	4
11339350575	METAL OXIDE FILM RESISTOR 39K	OHM 3W +-5%	PC	1
11347010517	CARBON FILM RESISTOR 47 OHM	1/4W +-5%	PC	5
11347020575	METAL OXIDE FILM RESISTOR	47 OHM 1/2W +-5%	PC	1
11347030575	METAL OXIDE FILM RESISTOR 47	OHM 1W +-5%	PC	1
11347040575	METAL OXIDE FILM RESISTOR 47	OHM 2W +-5%	PC	1
11347110517	CARBON FILM RESISTOR 470 OHM	1/4W +-5%	PC	5
11347210517	CARBON FILM RESISTOR 4.7K OHM	1/4W +-5%	PC	4
11347310517	CARBON FILM RESISTOR 47K OHM	1/4W +-5%	PC	6
11347820575	METAL OXIDE FILM RESISTOR	0.47 OHM 1/2W +-5%	PC	1
11347910517	CARBON FILM RESISTOR 4.7 OHM	1/4W +-5%	PC	2
11351050575	METAL OXIDE FILM RESISTOR 51	OHM 3W +-5%	PC	1
11351110517	CARBON FILM RESISTOR 510 OHM	1/4W +-5%	PC	2
11356010517	CARBON FILM RESISTOR 56 OHM	1/4W +-5%	PC	1
11356110517	CARBON FILM RESISTOR 560 OHM	1/4W +-5%	PC	4
11356210517	CARBON FILM RESISTOR 5.6K OHM	1/4W +-5%	PC	2
11356310517	CARBON FILM RESISTOR 56K OHM	1/4W +-5%	PC	2
11356521092	CARBON COMPOSITION RESISTOR	5.6M OHM 1/2W +-10%	PC	4
11368210217	CARBON FILM RESISTOR 6.8K OHM	1/4W +-2%	PC	1
11368210517	CARBON FILM RESISTOR 6.8K OHM	1/4W +-5%	PC	1
11368310167	METAL FILM RESISTOR 68K OHM	1/4W +-1%	PC	1
11368310517	CARBON FILM RESISTOR 68K OHM	1/4W +-5%	PC	2
11368830542	FUSING RESISTOR 0.68 OHM 1W	+5%	PC	2
11375010517	CARBON FILM RESISTOR 75 OHM	1/4W +-5%	PC	8
11382110517	CARBON FILM RESISTOR 820 OHM	1/4W +-5%	PC	1
11382310517	CARBON FILM RESISTOR 82K OHM	1/4W +-5%	PC	1
11382410517	CARBON FILM RESISTOR 820K OHM	1/4W +-5%	PC	1
11382950575	METAL OXIDE FILM RESISTOR 8.2	OHM 3W +-5%	PC	1
11421026200	THERMISTOR PTH451C262B		PC	1
12310034093	CERAMIC CAP. 10 PF 50V +-5%	(NPO)	PC	2
12310135060	CERAMIC CAP. 100 PF 50V +-10%	(SL TYPE) "SMART GOOD"	PC	4
12310235090	CERAMIC CAP. 0.001 MFD 50V	+10% (B TYPE)	PC	5
12310235090	CERAMIC CAP. 0.001 MFD 50V	+10% (B TYPE)	PC	3
12310337090	CERAMIC CAP. 0.01 MFD 50V +80	-20%	PC	8
12310427090	CERAMIC CAP. 0.1 MFD 25V +80	-20%	PC	11
12310427090	CERAMIC CAP. 0.1 MFD 25V +80	-20%	PC	3
12310427090	CERAMIC CAP. 0.1 MFD 25V +80	-20%	PC	4
12310435090	CERAMIC CAP. 0.1 MFD 50V	+10% (B TYPE)	PC	2
12312255190	CERAMIC CAP. 0.0012 MFD 500V	+10% (B TYPE) MATSUSHITA	PC	1
12315034093	CERAMIC CAP. 15 PF 50V +-5%	(NPO)	PC	2
12315285010	CERAMIC CAP. 0.0015 MFD 2KV	+10% MATSUSHITA	PC	2
12322246647	CERAMIC CAP. 0.0022 MFD 400VAC	+20% W/IEC384-14 APP. "TDK"	PC	1
12322285010	CERAMIC CAP. 0.0022 MFD 2KV	+10% MATSUSHITA	PC	1
12322337090	CERAMIC CAP. 0.022 MFD 50V +80	-20%	PC	5
12322337090	CERAMIC CAP. 0.022 MFD 50V +80	-20%	PC	2
12327034093	CERAMIC CAP. 27PF 50V +-5%	(NPO)	PC	3
12333135060	CERAMIC CAP. 330 PF 50V +-10%	(SL TYPE)	PC	4
12339135060	CERAMIC CAP. 390PF 50V +-10%	(SL TYPE)	PC	2

MODEL NO.: CT-M805SR Chassis type GT-733A

SYSTEM: PAL BG NTSC PLAYBACK AV IN / OUT CABLE TUNER 50P

Part Number	Description	Unit Qty
12347034060	CERAMIC CAP. 47 PF 50V +-5% (SL TYPE)	PC 1
12347135060	CERAMIC CAP. 470 PF 50V +-10% (SL TYPE)	PC 2
12347146651	CERAMIC CAP. 470PF AC400V +-10% (DE0910B471K-XX) MURATA	PC 2
12347255090	CERAMIC CAP. 0.0047 MFD 500V +-10% (B TYPE)	PC 2
12347255290	CERAMIC CAP. 0.0047 MFD 500V +-10% (B TYPE) SMALL SIZE	PC 2
12347285010	CERAMIC CAP. 0.0047MFD 2KV +-10% MATSUSHITA	PC 1
12356165041	CERAMIC CAP. 560PF 1KV +-10%	PC 3
12368135090	CERAMIC CAP. 680 PF 50V +-10% (B TYPE)	PC 1
12447406103	TANTALIUM CAP. 0.47 MFD 35V +-10%	PC 1
12610207101	MYLAR CAP. 0.001 MFD 50V +-10%	PC 3
12610307101	MYLAR CAP. 0.01 MFD 50V +-10%	PC 1
12610323041	METALIZED POLYPROPYLENE CAP. 0.01MFD 2KV +-5%	PC 1
12610407101	MYLAR CAP. 0.1 MFD 50V +-10%	PC 9
12610410131	POLYPROPYLENE CAP. 0.1 MFD 100V +-10%	PC 1
12612340131	POLYPROPYLENE CAP. 0.012 MFD 400V +-10%	PC 1
12615307101	MYLAR CAP. 0.015 MFD 50V +-10%	PC 2
12618307101	MYLAR CAP. 0.018 MFD 50V +-10%	PC 2
12622207101	MYLAR CAP. 0.0022 MFD 50V +-10%	PC 3
12622307101	MYLAR CAP. 0.022 MFD 50V +-10%	PC 2
12622340131	POLYPROPYLENE CAP. 0.022MFD 400V +-10%	PC 1
12622407101	MYLAR CAP 0.22 MFD 50V +-10%	PC 2
12633307101	MYLAR CAP. 0.033 MFD 50V +-10%	PC 1
12647207101	MYLAR CAP. 0.0047 MFD 50V +-10%	PC 5
12647307101	MYLAR CAP. 0.047 MFD 50V +-10%	PC 2
12647320131	POLYPROPYLENE CAP. 0.047 MFD 200V +-10%	PC 1
12647322241	METALIZED POLYPROPYLENE CAP. 0.047 MFD 275V +-20% "OKAYA"	PC 2
12647406021	METALIZED POLYESTER FILM CAP. 0.47 MFD 63V +-5%	PC 1
12647407101	MYLAR CAP. 0.47 MFD 50V +-10%	PC 3
12647422241	METALIZED POLYPROPYLENE CAP. 0.47 MFD 275VAC +-20% "OKAYA"	PC 1
12656207101	MYLAR CAP. 0.0056 MFD 50V +-10%	PC 2
12656421031	POLYPROPYLENE CAP. 0.56 MFD 250V +-5%	PC 1
12668307101	MYLAR CAP. 0.068 MFD 50V +-10%	PC 2
12682307101	MYLAR CAP. 0.082 MFD 50V +-10%	PC 2
12710507105	ELECT CAP. 1 MFD 50V +-10% (TIME CONSTANT)	PC 1
12710507203	ELECT. CAP. 1 MFD 50V +-20%	PC 5
12710507223	ELECT. CAP. BIPOLAR 1 MFD 50V +-20%	PC 2
12710604203	ELECT. CAP. 10 MFD 16V +-20%	PC 9
12710604203	ELECT. CAP. 10 MFD 16V +-20%	PC 5
12710607203	ELECT. CAP. 10 MFD 50V +-20%	PC 1
12710613203	ELECT. CAP. 10 MFD 160V +-20%	PC 1
12710704203	ELECT. CAP. 100 MFD 16V +-20%	PC 3
12710704203	ELECT. CAP. 100 MFD 16V +-20%	PC 4
12710706203	ELECT. CAP. 100 MFD 35V +-20%	PC 2
12710804203	ELECT. CAP. 1000 MFD 16V +-20%	PC 4
12710805203	ELECT. CAP. 1000 MFD 25V +-20%	PC 1
12710806203	ELECT CAP. 1000 MFD 35V +-20%	PC 1
12722507203	ELECT. CAP 2.2 MFD 50V +-20%	PC 10
12722507203	ELECT. CAP 2.2 MFD 50V +-20%	PC 1
12722507223	ELECT CAP. 2.2 MFD 50V +-20% (NON-POLAR)	PC 4
12722604203	ELECT. CAP. 22 MFD 16V +-20%	PC 2
12722625203	ELECT CAP. 22 MFD 250V +-20%	PC 1
12722704203	ELECT. CAP. 220 MFD 16V +-20%	PC 5
12722706203	ELECT. CAP. 220 MFD 35V +-20%	PC 1
12722713203	ELECT CAP. 220 MFD 160V +-20%	PC 2

MODEL NO.: CT-M805SR Chassis type GT-733A

SYSTEM: PAL BG NTSC PLAYBACK AV IN / OUT CABLE TUNER 50P

Part Number	Description	Unit	Qty	
12722805203	ELECT. CAP. 2200 MFD 25V +-20%	PC	2	
12722806203	ELECT CAP. 2200 MFD 35V +-20%	PC	1	
12733613203	ELECT CAP. 33 MFD 160V +-20%	PC	1	
12733707203	ELECT. CAP. 330 MFD 50V +-20%	PC	1	
12733740203	ELECT CAP. 330 MFD 400V	30MM - 50MM "JAMICON"	PC	1
12733805203	ELECT. CAP. 3300 MFD 25V +-20%	PC	1	
12747407203	ELECT. CAP. 0.47 MFD 50V +-20%	PC	2	
12747507203	ELECT CAP 4.7 MED 50V	PC	6	
12747510223	ELECT CAP.BIPOLAR 4.7MFD 100V	+20%	PC	1
12747604203	ELECT. CAP. 47 MFD 16V +-20%	PC	10	
12747607207	ELECT.CAP. 47 MFD 50V +-20%	NICHICON	PC	1
12747625203	ELECT CAP. 47 MFD 250V +-20%	PC	1	
12747704203	ELECT. CAP. 470 MFD 16V +-20%	PC	2	
12747706203	ELECT CAP. 470 MFD 35V +-20%	PC	2	
13013014600	SILICON DIODE 1SS146 ROHM	PC	3	
13013017660	SILICON DIODE 1SS176FA TOSHIBA	PC	1	
13013414801	SILICON DIODE IN4148	PC	12	
13013414801	SILICON DIODE IN4148	PC	12	
13013414801	SILICON DIODE IN4148	PC	3	
13031000100	RECTIFIER DIODE EU1 0.25A/400V	SANKEN	PC	2
13031001000	RECTIFIER DIODE EMIC SANKEN	PC	1	
13031001100	RECTIFIER DIODE EU1Z 0.25A	200V SANKEN	PC	5
13031002100	RECTIFIER DIODE EGIZ SANKEN	PC	1	
13031004300	RECTIFIER DIODE RU4B SANKEN	PC	1	
13031012000	RECTIFIER DIODE FMP-G12S	SANKEN	PC	1
13031034100	RECTIFIER DIODE 3TH41 TOSHIBA	PC	1	
13031034500	RECTIFIER DIODE 3JH45 TOSHIBA	PC	1	
13031060600	BRIDGE RECTIFIER RBV-606	"SANKEN"	PC	1
13031154560	RECTIFIER DIODE 1R5JH45	PC	1	
13031400101	RECTIFIER DIODE 1N4001	PC	1	
13031529500	RECTIFIER DIODE S5295G TOSHIBA	PC	4	
13041003901	ZENER DIODE 3.9V	PC	1	
13041005101	ZENER DIODE 5.1V 1/2W +-5%	PC	3	
13041005601	ZENER DIODE 5.6V	PC	1	
13041007501	ZENER DIODE 7.5V 1/2W	PC	2	
13041010001	ZENER DIODE 10V 1/2W	PC	1	
13041012002	ZENER DIODE 12V HZ12A2	PC	2	
13041057400	ZENER DIODE UPC 574J NEC	PC	1	
13041109101	ZENER DIODE 9.1V	PC	1	
13121056418	TRANSISTOR 2SA564AQ	PC	1	
13121101500	TRANSISTOR 2SA1015 TOSHIBA	PC	5	
13121166814	TRANSISTOR 2SA1668 SANKEN	PC	1	
13123131700	TRANSISTOR 2SC1317 MATSUSHITA	PC	2	
13123180900	TRANSISTOR 2SC1809 ROHM	PC	1	
13123181525	TRANSISTOR 2SC1815 TOSHIBA	PC	8	
13123181525	TRANSISTOR 2SC1815 TOSHIBA	PC	4	
13123181525	TRANSISTOR 2SC1815 TOSHIBA	PC	6	
13123248200	TRANSISTOR 2SC2482 TOSHIBA	PC	2	
13123361900	TRANSISTOR 2SC3619	PC	4	
13124140625	TRANSISTOR 2SD1406-Y TOSHIBA	PC	1	
13124164000	TRANSISTOR 2SD1640-S PANASONIC	PC	1	
13124255300	TRANSISTOR 2SD2553 TOSHIBA	PC	1	
13146236900	TRANSISTOR PH2369 PHILIPS	PC	1	
13147013514	TRANSISTOR SE135N SANKEN	PC	1	

MODEL NO.: CT-M805SR Chassis type GT-733A

SYSTEM: PAL BG NTSC PLAYBACK AV IN / OUT CABLE TUNER 50P

Part Number	Description	Unit	Qty	
13300062114	I.C. P621 (GRL) TOSHIBA	PC	1	
13310035233	I.C. CTV350S.GW2 PHILIPS	PC	1	
13310242131	I.C. ST24C02AB1 SGS	PC	1	
13310386633	I.C. TDA3866 PHILIPS	PC	1	
13310466533	I.C. TDA4665 (PHILIPS IC)	PC	1	
13310734714	I.C. TA7347P TOSHIBA	PC	1	
13310841633	I.C. TDA8416 PHILIPS	PC	1	
13310842533	I.C. TDA8425 PHILIPS	PC	1	
13310844033	I.C. TDA8440 PHILIPS	PC	1	
13312836133	I.C. TDA8361/N5 PHILIPS	PC	1	
13320365433	I.C. TDA3654 (PHILIPS)	PC	1	
13320444516	I.C. LA4445 (SANYO)	PC	1	
13320780531	I.C. L7805CV SGS	PC	1	
13320780831	IC L7808C-V SGS-THOMSON	PC	1	
13320781231	IC L7812CV SGS-THOMSON	PC	1	
13330424133	I.C. 74HCT241N PHILIPS	PC	1	
13330453833	I.C. HEF4538BP PHILIPS	PC	1	
13350670938	I.C. STR-S6709 SANKEN	PC	1	
13650000100	REMOTE RECEIVER (KODENSHI	HC-SZ01)	PC	1
13710000031	CRYSTAL 10 MHZ HOORAY	PC	2	
13735795420	CRYSTAL 3.579545 MHz "KOWHA"	PC	1	
13744361820	CRYSTAL 4.43 MHz "TEC"	PC	1	
14610000213	TACT SWITCH KSM0634A HDK	PC	8	
14610000213	TACT SWITCH KSM0634A HDK	PC	2	
14610000614	POWER SWITCH PS5E-B	"CHINA LANDMARK"	PC	1
16010100108	PIN CONNECTOR 1 PIN PLUG	STRAIGHT	PC	1
16010225527	PIN CONNECTOR 2 PINS PLUG	STRAIGHT (UL) (S.H.S)	PC	5
16010225527	PIN CONNECTOR 2 PINS PLUG	STRAIGHT (UL) (S.H.S)	PC	2
16010280508	PIN CONNECTOR 2 PIN PLUG	STRAIGHT	PC	1
16010325527	PIN CONNECTOR 3 PINS PLUG	PC	2	
16010380508	PIN CONNECTOR 3 PIN PLUG	STRAIGHT	PC	1
16010425527	PIN CONNECTOR 4 PINS PLUG	(SHS)	PC	3
16010480508	PIN CONNECTOR 4 PIN PLUG	STRAIGHT	PC	2
16010625527	PIN CONNECTOR 6 PINS WAFER	(SHS) S11-W	PC	2
16010925527	PIN CONNECTOR 9 PINS PLUG	PC	2	
16011025527	PIN CONNECTOR 10 PINS PLUG	PC	2	
16147000200	RCA JACK HYJ-032-03BB BLACK	"MING FUNG"	PC	1
16147030400	RCA JACK 3 PIN/RIGHT TYPE RED	#UIC-032-03AR "UNITRONIC"	PC	1
16147210300	RCA JACK 2 PIN #UIR-321-Y	YELLOW (ANGLE) UNITRONIC	PC	1
16148500532	RF CONNECTOR #HXCO421-01-500	(MULTI) HOSIDEN	PC	1
16154000401	CRT SOCKET ISH-01 IN CHANG	PC	1	
16168370222	21 PIN SOCKET	PC	1	
17262000540	UL 1007 TOP COAT WIRE AWG 20	50MM BLACK 5 X 5MM	PC	2
17262000840	UL 1007 TOP COAT WIRE #20 80MM	BLACK 5 X 5 MM	PC	1
17262001040	UL 1007 TOP COAT WIRE AWG 20	100MM BLACK 10 X 10 MM	PC	1
17262002040	UL 1007 TOP COAT WIRE AWG 20	200MM BLACK 10 X 10 MM	PC	1
17262600840	UL 1007 TOP COAT WIRE AWG 26	80MM BLACK 10 X 10 MM	PC	2
17262600846	UL 1007 TOP COAT WIRE AWG 26	80 MM BLUE 10 X 10 MM	PC	1
17262601040	UL 1007 TOP COAT WIRE AWG 26	100MM BLACK 10 X 10 MM	PC	2
17262601040	UL 1007 TOP COAT WIRE AWG 26	100MM BLACK 10 X 10 MM	PC	1
17262602442	UL 1007 TOP COAT WIRE AWG 26	240MM RED 10 X 10 MM	PC	1
17262602643	UL 1007 TOP COAT WIRE AWG 26	260MM ORANGE	PC	1
17262603640	UL1007 TOP COAT WIRE AWG26	360MM BLACK 10 X 10MM	PC	2
17272600099	BARE WIRE 54MM	M	6	

MODEL NO.: CT-M805SR Chassis type GT-733A

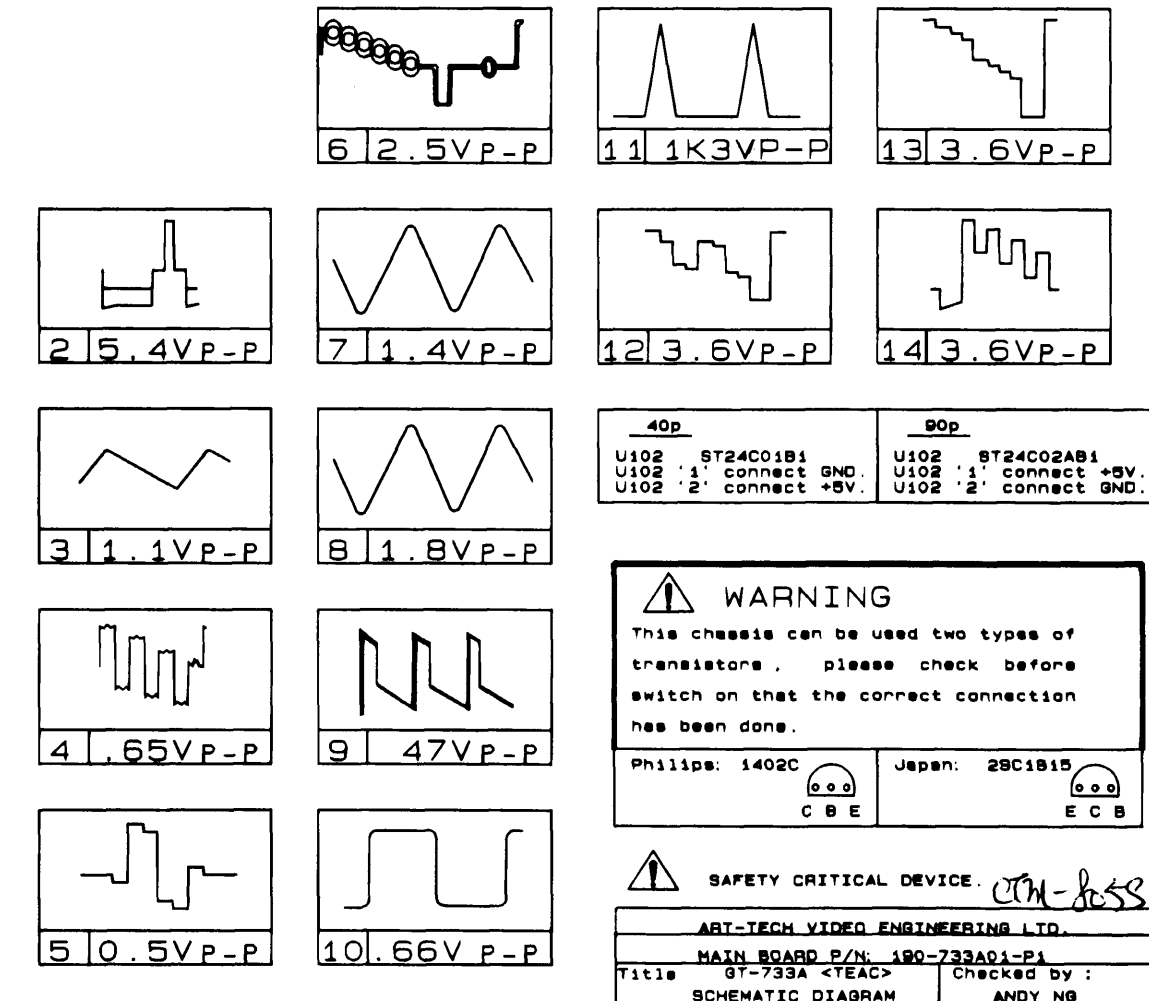
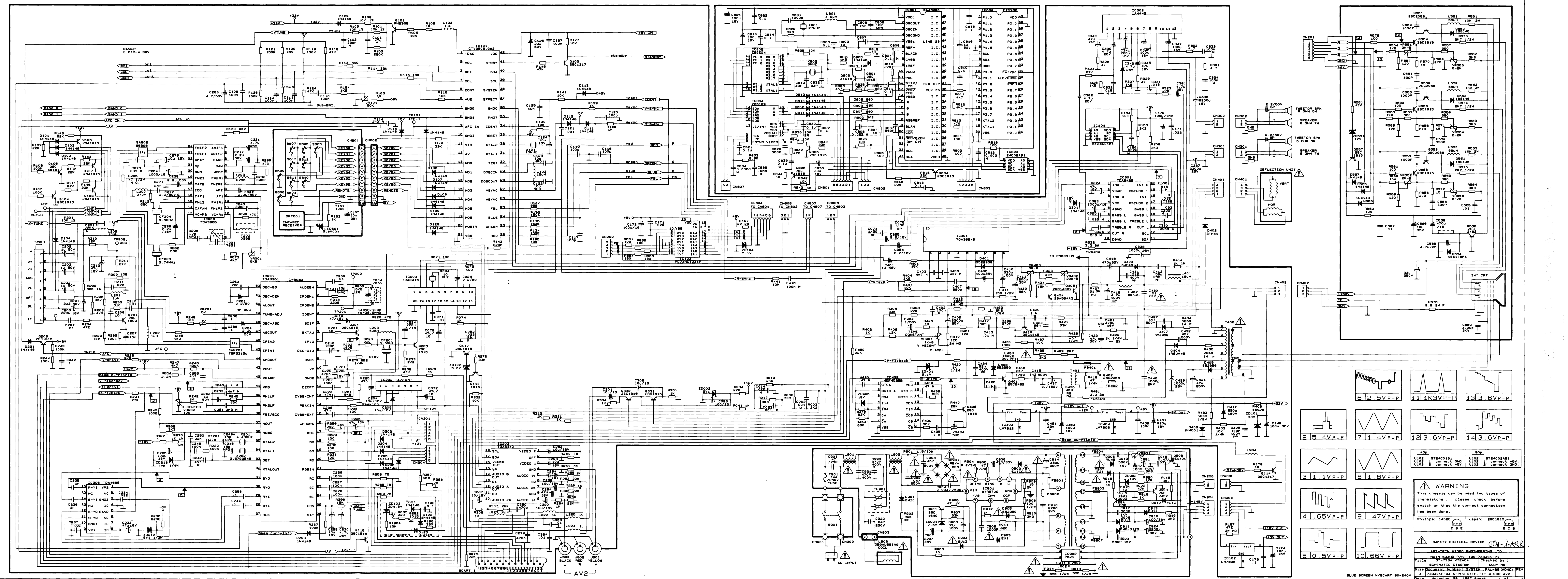
SYSTEM: PAL BG NTSC PLAYBACK AV IN / OUT CABLE TUNER 50P

Part Number	Description	Unit	Qty
17272600099	BARE WIRE 54MM	M	0
17272600099	BARE WIRE 54MM	M	0
17272600099	BARE WIRE 54MM	M	0
17272600099	BARE WIRE 54MM	M	0
17272600099	BARE WIRE 54MM	M	0
17272600099	BARE WIRE 54MM	M	0
17272600099	BARE WIRE 54MM	M	0
17283012099	FLAT BRIDED WIRE	M	3.4
17765526305	5 PIN FLAT CABLE WIRE	PC	1
17765526305	5 PIN FLAT CABLE WIRE	PC	0
17765530302	FLAT CABLE WIRE 300MM	PC	1
17900101000	OIL SLEEVING 1 mm DIA.	M	0.1
17900101000	OIL SLEEVING 1 mm DIA.	M	0
17910500000	UL PVC TUBE 5mm DIA	M	0.3
17911050000	UL PVC TUBE 11MM DIA.	M	0.1
17940303000	3MM DIA. SHRINKABLE TUBE	PC	0.2
17940503000	5 mm DIA SHRINKABLE TUBE	M.	0.1
17940503000	5 mm DIA SHRINKABLE TUBE	M.	0
18222400003	FUSE T4A 250V	PC	1
18435080508	AXIAL LEAD BEAD INDUCTORS	"COILS"	PC 7
190733A0007	POWER BOARD (100698)	PC	1
190733A01P1	MAIN P.C.B. (040598)	PC	1
190733A0BXI	AV IN OUT JACK BOARD (050198)	PC	1
190733B0107	SENSOR P.C.B. (050797)	W/ONE LED	PC 1
190733B04P6	CHANNEL P.C.B. (041197)	PC	1
19088280300	CRT P.C.B. (071197)	PC	1
19101020207	10 PIN SOCKET ASS'Y L=120MM	(FLAT CABLE) UL2468 #26 2.5NN	PC 1
19101020207	10 PIN SOCKET ASS'Y L=120MM	(FLAT CABLE) UL2468 #26 2.5NN	PC 0
19101020207	10 PIN SOCKET ASS'Y L=120MM	(FLAT CABLE) UL2468 #26 2.5NN	PC 0
19110100707	1 PIN SOCKET ASS'Y L=350MM	PC	1
19120004409	2 PIN SOCKET ASSM'Y L=440MM	PC	1
19120100307	2 PIN SOCKET ASS'Y L=240MM	PC	1
19120100307	2 PIN SOCKET ASS'Y L=240MM	PC	0
19120122107	2 PIN SOCKET ASS'Y L=500MM #26	(FLAT CABLE) UL2468 2.5MM	PC 1
19120122310	2 PIN SOCKET ASS'Y L=550MM	(W/SHIELDING WIRE) #26 UL1533	PC 1
19130100307	3 PINS SOCKET ASS'Y L=450MM	PC	1
19130100307	3 PINS SOCKET ASS'Y L=450MM	PC	0
19130100307	3 PINS SOCKET ASS'Y L=450MM	PC	0
19140101407	4 PINS SOCKET ASS'Y L=350MM	PC	1
19140101407	4 PINS SOCKET ASS'Y L=350MM	PC	0
19140120710	4 PIN SOCKET ASS'Y L=240MM	PC	1
19140120710	4 PIN SOCKET ASS'Y L=240MM	PC	0
19160100407	6 PINS SOCKET ASS'Y L=540MM	PC	1
19160100407	6 PINS SOCKET ASS'Y L=540MM	PC	0
19160101807	6 PIN (PIN 1 W/O WIRE, PIN 2-6)	RESISTOR 1K OHM 1/4W)	PC 1
19190120407	9 PIN SOCKET ASS'Y L=220MM	(FLAT CABLE) UL2468 #26 2.5MM	PC 1
19190120407	9 PIN SOCKET ASS'Y L=220MM	(FLAT CABLE) UL2468 #26 2.5MM	PC 0
19190120407	9 PIN SOCKET ASS'Y L=220MM	(FLAT CABLE) UL2468 #26 2.5MM	PC 0
40252200111	COAXIAL CABLE W/DIN, RCA 250MM	W/3 SOLDERING POINT "MIKI"	PC 1
50430500610	MACHINE SCREW 3 X 6 B/M	(WHITE)	PC 5
50430500610	MACHINE SCREW 3 X 6 B/M	(WHITE)	PC 2
50930501000	MACHINE SCREW 3 X 10 KM	(BLACK)	PC 2
51440031210	SELF-TAPPING SCREW 4 X 12 B/A	(HARDEN)	PC 9
51440043510	SELF-TAPPING SCREW 4 X 35 B/T	(HARDEN)	PC 3

MODEL NO.: CT-M805SR Chassis type GT-733A

SYSTEM: PAL BG NTSC PLAYBACK AV IN / OUT CABLE TUNER 50P

Part Number	Description		Unit	Qty
51530341010	SELF-TAPPING SCREW 3 X 10	W/B/T (HARDEN)	PC	37
51530341010	SELF-TAPPING SCREW 3 X 10	W/B/T (HARDEN)	PC	0
51530341010	SELF-TAPPING SCREW 3 X 10	W/B/T (HARDEN)	PC	0
51530341010	SELF-TAPPING SCREW 3 X 10	W/B/T (HARDEN)	PC	2
51650041810	SELF-TAPPING SCREW 5 X 18 P/T	(HARDEN) HEAD DIA. 9.5MM MAX	PC	8
51650042010	SELF-TAPPING SCREW 5 X 20 P/T	(HARDEN) HEAD DIA. 9.5MM MAX	PC	16
51650043510	SEIF-TAPPING SCREW 5X35 P/T	(HARDEN) HEAD DIA. 9.5MM MAX	PC	11
51730331210	SELF-TAPPING SCREW 3 X 12 W/A	W/H=7MM (HARDEN)	PC	7
51730331210	SELF-TAPPING SCREW 3 X 12 W/A	W/H=7MM (HARDEN)	PC	0
54002003001	EYELET 2 X 3 MM		PC	9
58010100400	STAND OFF TWIST TIE #ST-3		PC	1
58010126101	CABLE TIE L=100MM		PC	22
58010126101	CABLE TIE L=100MM		PC	3
58010126101	CABLE TIE L=100MM		PC	2
62288280200	FELT L240 X W17 X T0.5MM	W/TAPE	PC	30
63011452000	FIBRE WASHER		PC	1
63193200100	FIBER (FOR SHIELD PLATE)	(SAMSUNG TUNER)	PC	1
72893130200	SENSOR P.C.B. SUPPORT		PC	2
74488130100	SPRING FOR C.R.T. MOUNTING 5.2	X 42 X 0.6MM	PC	2
74606310100	TEST PIN:TOTAL LENGTH 18.6mm	THK:0.8mm	PC	2
74606310101	AC LINE CORD PIN		PC	2
748733A0100	CRT MTG. WASHER		PC	4
75006310100	SOLDERING LUG LEG:8X4MM		PC	3
75006310201	35MM SOLDERING LUG	OD:7 ID:3.2 LEG:4X35MM	PC	6
750733A0100	SOLDERING LUG		PC	2
76668680100	FUSE HOLDER		PC	2
77794210100	SPRING IN 8.4 X L18		PC	1
77988200101	IRON HEAT SINK (D)		PC	2
77993290402	IRON HEAT SINK		PC	2
77995280101	IRON HEAT SINK		PC	1
781733A1300	ALUMINIUM HEAT SINK		PC	1
781733A1400	ALUMINIUM HEAT SINK		PC	1
78193250300	ALUMINIUM HEAT SINK		PC	1
78193291200	POWER PCB HEAT SINK (O)		PC	1
78393130402	SHIELD CAN		PC	1
78393130504	SHIELD CAN COVER		PC	1
78393200200	SHIELD PLATE (SAMSUNG TUNER)		PC	1
81005220414	POLYBAG 5" X 22" X 0.04MM	W/RE-CYCLING MARK (P/O MAT)	PC	1
822733A0100	SPEAKER HOLDER CUSHION		PC	2
83423080200	RUBBER WASHER OD=23, ID=8, T=2		PC	4
84001102421	PAD CORD L240 X W10 X T1 MM	W/TAPE	PC	30
84005103011	RUBBER PAD (ONE SIDE W/TAPE)		PC	6
84008292911	RUBBER PAD (ONE SIDE W/TAPE)		RP	1
917833B0100	REMOTE LENS - T.RED ABS		PC	1
920733A13U0	CHASSIS MTG. BRACKER BLACK ABS	UL94V0	PC	1
929629B0100	LED HOLDER BKT		PC	1
939733A0100	POWER SW.ADAPTOR		PC	1
94888200500	DOOR LOCKER UPC-165 UNITRONIC		PC	1
954733A0200	SPEAKER HOLDER BLACK PP		PC	2
954733A1000	POST SUPPORTER ABS BLACK		PC	3
95488210000	AC LINE CORD CLIP		PC	1
95488280400	HIGH VOLTAGE CABLE SPACER		PC	3
98803380100	GEAR (BLACK MOULDED)		PC	1
98988280100	GEAR HOLDER		PC	1



WARNING
 This chassis can be used two types of transformers. Please check before switch on that the correct connection has been done.
 Philips: 1402C Japn: 28C1815
 C B E

SAFETY CRITICAL DEVICE

ART-TECH VIDEO ENGINEERING LTD.
 MAIN BRANCH: 100-23402-1
 11111 KOGANEI, SHIBUYA-KU, TOKYO, JAPAN
 SCHEMATIC DIAGRAM ANDY NO
 DATE: NOVEMBER 1987